

**Argo**  
BASEBOARD

RESIDENTIAL  
**LO~TRIM II**  
BASEBOARD



**LO-TRIM II BASEBOARD RADIATION**  
*Providing comfort to any room with style!*

- Low Profile
- Advanced Design
- Quiet Operation
- Quick & Easy to Install





RESIDENTIAL

# LO~TRIM II BASEBOARD

## FULLY MODULATING DAMPER

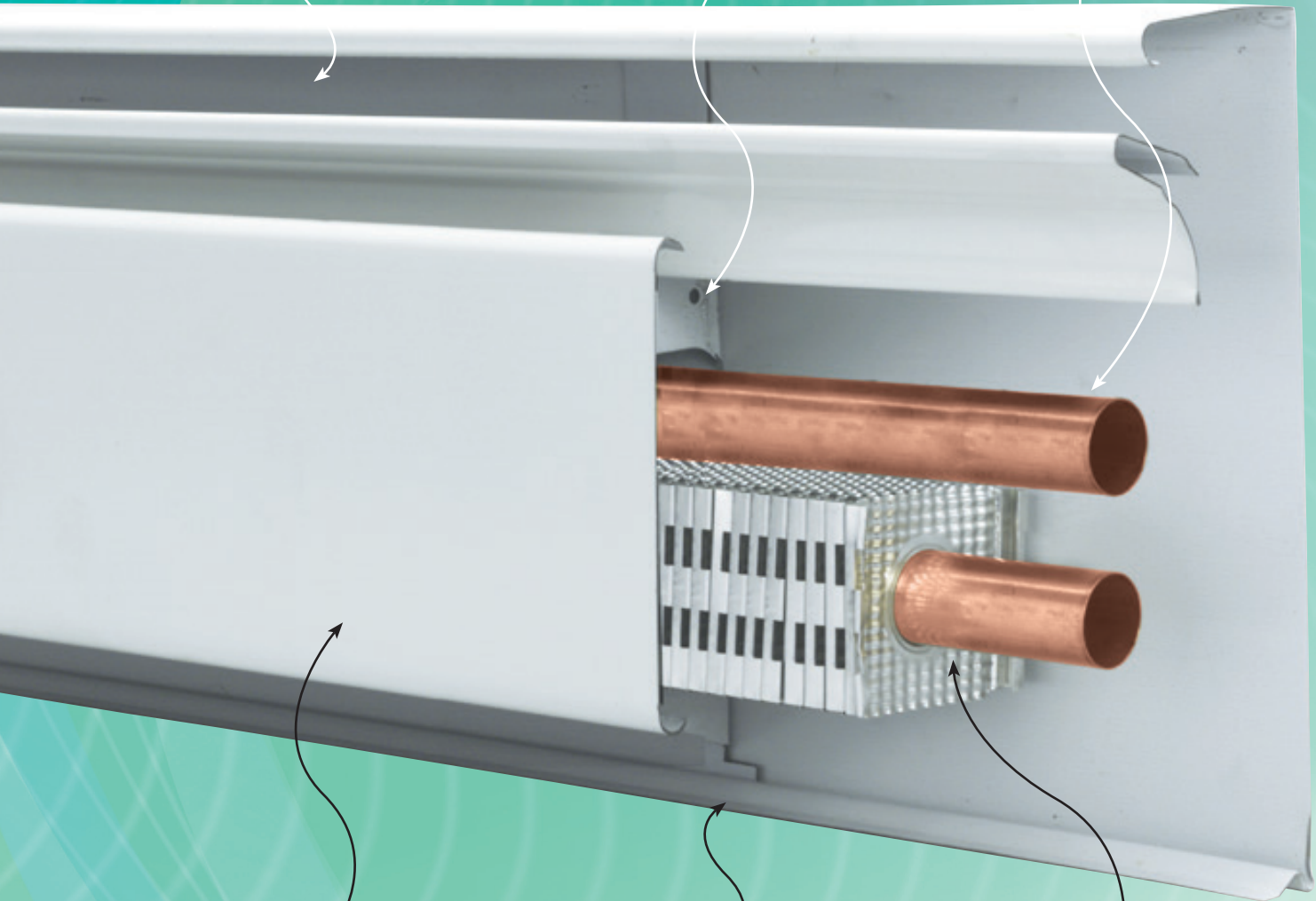
Thermodynamic design optimizes convection with finger-tip control.

## CLIP-ON HANGERS

Perfectly align finned element and return pipe. Simply clip into slots in back panel.

## RETURN TUBE

Includes provision for return tube hangers and a return tube when needed.



## DURABLE GALVANIZED STEEL ENCLOSURE

Classic white pre-painted finish.

## COVE BOTTOM

No need for floor moldings with easy-to-clean curved-base back panel.

## PRESS-FIT FINS

Aluminum fins individually bonded to copper tube remain tight if cutting is required.



# Today's most advanced baseboard design

Superior performance, durability and ease of installation are combined to make Lo-Trim II the choice in hydronic baseboard heating. Less than 8" high, the Lo-Trim II's attractive slim low-profile design will provide exceptional comfort and style to any room. Constructed of galvanized steel for years of trouble-free service. A full line of matching snap-on accessories offers easy installation flexibility.

## **GALVANIZED STEEL ENCLOSURE**

The pre-painted white enclosure is attractive and rugged enough for any application. Cover snaps on and off for easy installation and cleaning.

## **COVE BOTTOM**

The reverse curve feature of the Lo-Trim II back panel eliminates the need for molding strips when finishing floors to the wall. Rounded bottom prevents dirt accumulation, making cleaning easy.

## **CLIP-ON HANGERS**

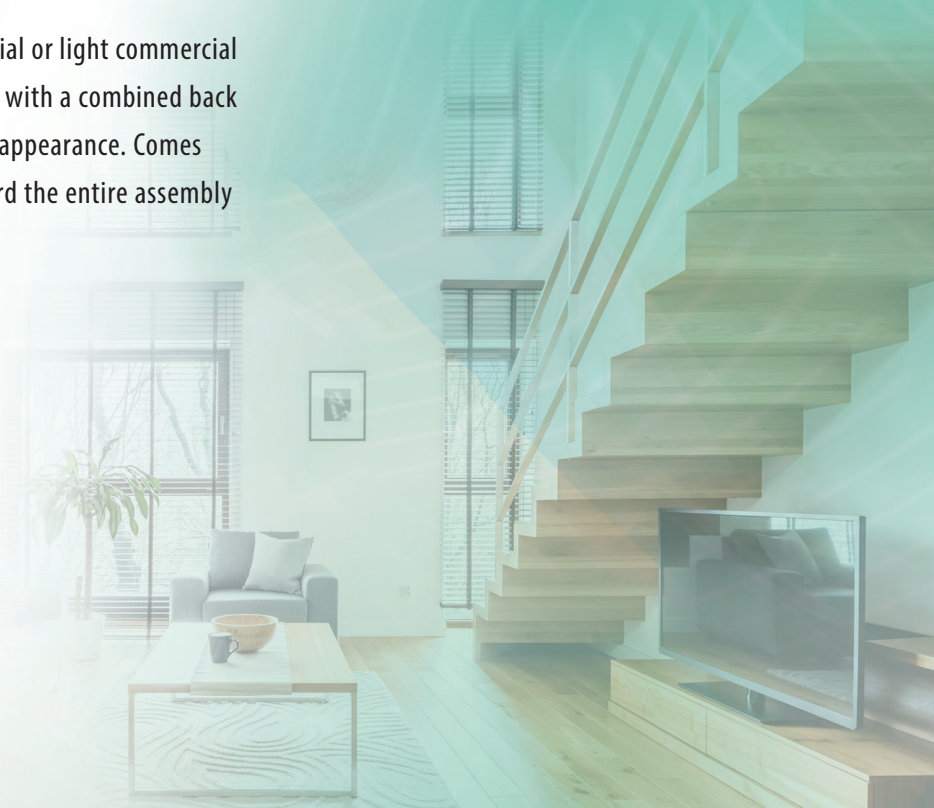
Galvanized steel hangers simply clip into a channel on the one-piece back panel. Plastic cradles snap on to the heating element, allowing it to fit snugly into hangers, automatically placing the element in a level position, ready for sweating. The cradles also allow the system to operate with minimal expansion noise.

## **EASY TO INSTALL**

Lo-Trim II baseboard is ideal for any type of residential or light commercial installation. It offers contractors ease of installation with a combined back and top panel which ensures a perfect, streamlined appearance. Comes fully assembled and packaged superiorly to safeguard the entire assembly during transit.

## **Sleek Lo-Profile Design Provides Comfort with Style In Any Room.**

The Lo-Trim II's installation flexibility and BTU output range is the perfect match for residential hydronic heating installations.



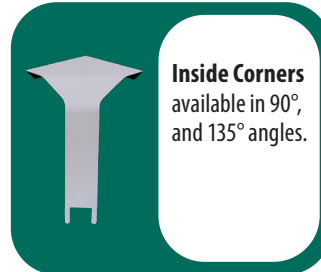
## Lo-Trim II Accessories

A complete line of matching accessories designed for quick and easy snap-on installation.

The right piece for any job.



**End Caps**  
3" left or right end caps that extend to the floor.



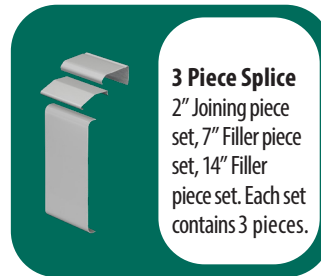
**Inside Corners**  
available in 90°, and 135° angles.



**Hinged Valve Enclosure**  
left or right 4" end caps extend to the floor.



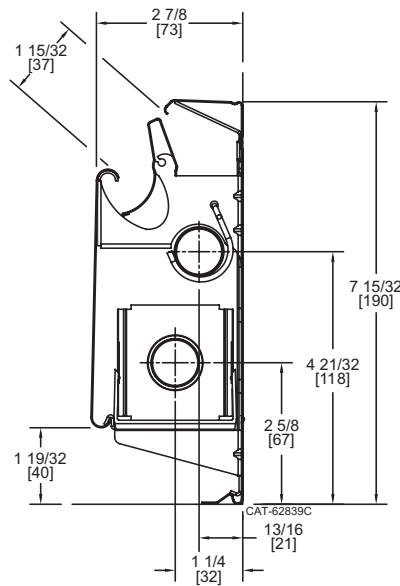
**Outside Corners**  
available in 90° and 135° angles.



**3 Piece Splice**  
2" Joining piece set, 7" Filler piece set, 14" Filler piece set. Each set contains 3 pieces.



**Wall Ends**  
Wall ends available in 3".



DIMENSIONS IN "[ ]" ARE SHOWN IN MILLIMETERS.

### Ratings

Model	GPM	Average Hot Water Temperature - BTU/HR./LIN. FT.						
		120°F	130°F	140°F	150°F	160°F	170°F	180°F
LT 1/2"	4	215	269	328	390	450	520	590
	1	204	255	311	370	430	490	560
LT 3/4"	4	209	262	319	380	440	510	570
	1	198	248	302	360	420	480	540

The use of Rating @ 4GPM is limited to installations where flow rate is known to be equal to or greater than 4 GPM. If flow rate is unknown, use 1 GPM rating.

Ratings include 15% addition to water heat capacity.

Hot water ratings shown are at the STANDARD WATER FLOW RATE of 500 lb/hr (1GPM) and 2,000 lbs/hr (4GPM) with 65° entering air temperature.

Friction loss through Argo Baseboard unit at 1 GPM (500 lbs/hr) is 47 MIL-INCHES per foot and at 4 GPM (2000 lbs/hr) is 525 MIL-INCHES PER FOOT.

Rating base on active length. Difference between active and total length is 3".

Aluminum fins are 2" x 2" x .008" thick, spaced 51 per foot (unpainted).

### ARGO BASEBOARD

260 North Elm Street • Westfield, MA 01085

Tel: (413) 564-5545

www.argobaseboard.com

